

Care Solutions - Verso Care Duo

Verso Care Duo Shower handrail,
with movable shower handrail

Article number: 3500352912

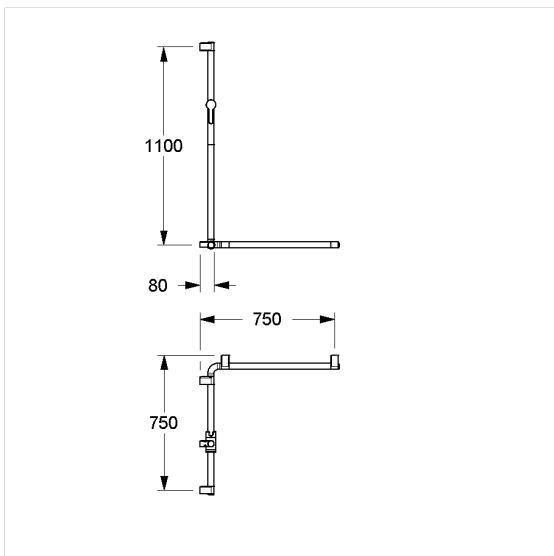
Product image



Technical specifications

Product group	3800
Product	Shower handrail, with movable shower handrail
Axle dimension a1	750 mm
Axle dimension a2	750 mm
Axle dimension a3	1100 mm
Fixing type	single-point mounting
Fixing points	5 Piece
Diameter	34 mm
Material	polyamide
Surface	high gloss
Colour	Red-White (912)
Version	left
Loading	max. 175 kgs

Technical drawing



Product description

- Verso Care Duo facilitates orientation thanks to the high-contrast color combination
- with non-corrosive steel core throughout
- Shower head holder with easy adjustment to any height and angle, self-adjusting clamp maintenance-free
- side-mounted operating lever for one-handed operation by turning
- Shower head holder suitable for various hand shower types
- single-point wall attachment with 3mm tolerance compensation (= ffl 1.5mm) for an easy and safe installation,
- concealed screw fixing
- In case of lightweight partition walls a backfill made of min. 30mm hardwood is needed
- CE-certified
- supplied with stainless steel hexagon head screws $\varnothing 6 \times 100$ mm according to DIN 571 and dowels



912