

Care Solutions · Special Care Adipositas

Special Care Adipositas Grab rail,
with shower head holder

Article number: 0457315018

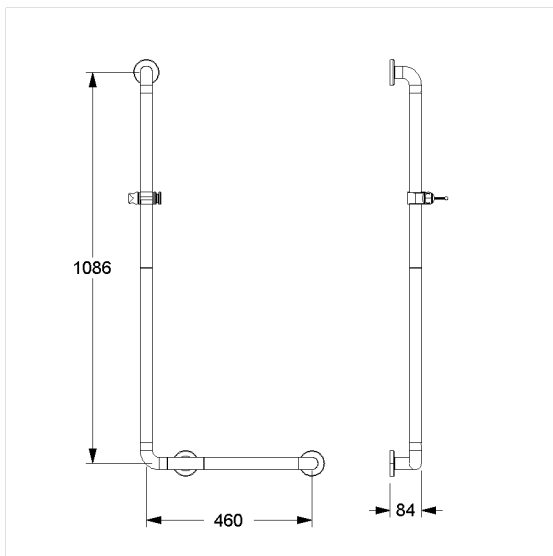
Product image



Technical specifications

Product group	2010
Product	Grab rail, with shower head holder
Axle dimension a1	460 mm
Axle dimension a3	1086 mm
Fixing type	rosettes mounting
Fixing points	3 Piece
Diameter	34 mm
Material	polyamide
Surface	high gloss
Colour	available in nylon colours
Version	left and right
Loading	max. 300 kgs

Technical drawing



Product description

- Special Care Adipositas for increased load-bearing requirements
- with non-corrosive steel core throughout
- Shower head holder with easy adjustment to any height and angle, self-adjusting clamp maintenance-free
- with long operating lever and multi-purpose side hook
- Shower head holder suitable for various hand shower types
- with plastic rose \varnothing 70mm for concealed screw fixing and glass fiber reinforced plastic base
- In case of lightweight partition walls a backfill made of min. 20mm hardwood is needed
- for the use of rose gaskets 0300901/0300910 geeignet
- CE-certified
- meets the requirements of German standard DIN 18040 and Austrian standard ÖNORM B 1600
- supplied with stainless steel Torx screw $s\varnothing$ 6 x 70 mm and special plugs

