

## Care Solutions · Inox Partition solutions

Inox T-connector

Article number: 2290740009

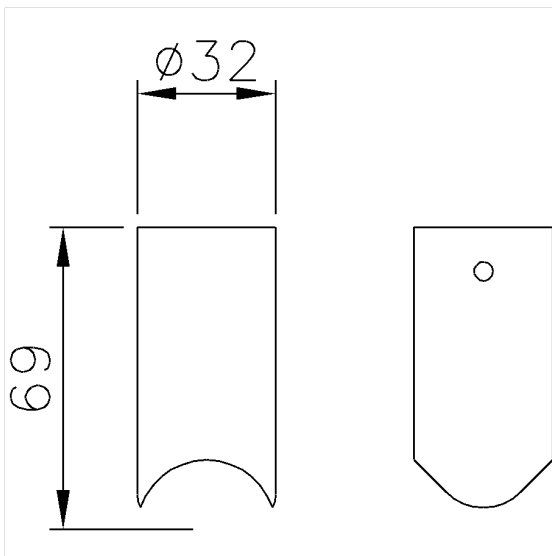
### Product image



### Technical specifications

Product group	6600
Product	T-connector
Short name	NT.TA
Length	65 mm
Width	32 mm
Height	32 mm
Diameter	32 mm
Material	stainless steel, material No. 1.4401 (A4, AISI 316)
Surface	brushed finish
Colour	Stainless steel (009)

### Technical drawing



### Product description

- Design partition solutions for doors and partitions made of HPL board material
- Single part for upper belt
- enables the branching of the upper belt
- another pipe is connected with the connecting piece 2290330
- with drill hole  $\varnothing$  6 mm
- supplied with fixing material for connection on upper belt



009