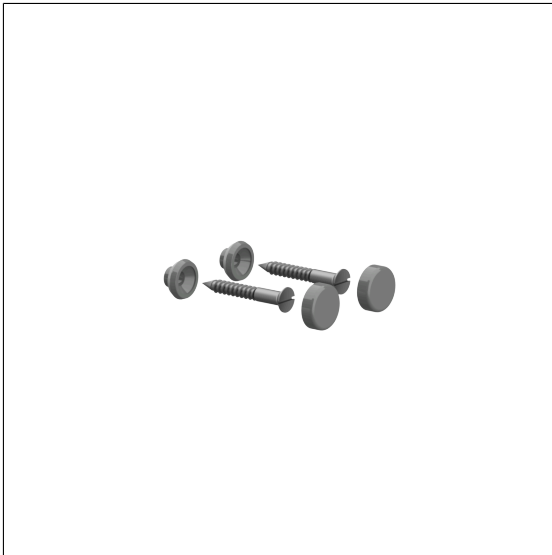


Care Fixing set

Article number: 0527350018

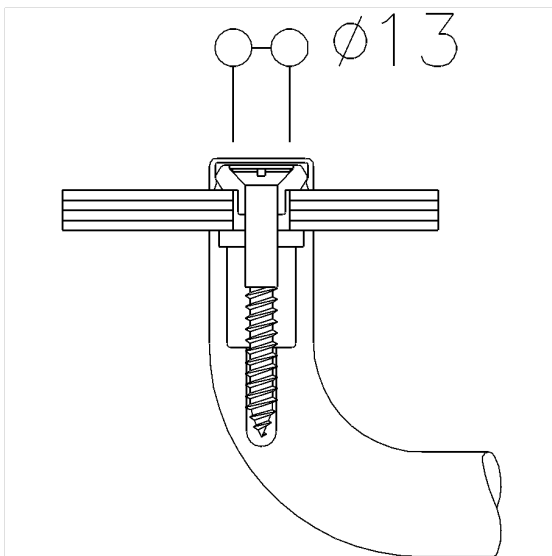
### Product image



### Technical specifications

Product group	1500
Product	Fixing set
Short name	MS 2.5A
Material	polyamide
Type of wall	Glass doors
Material & scope of delivery	2 x rosette 2 x lower rosette 2 x countersunk wood screw Ø 8 x 60 STCB
Colour	available in nylon colours

### Technical drawing



### Product description

- suitable for: Nylon Towel rail 0528010, 0528020 with antibacteriell protection 4528010, 4528020
- installation has to be carried out by professionals

