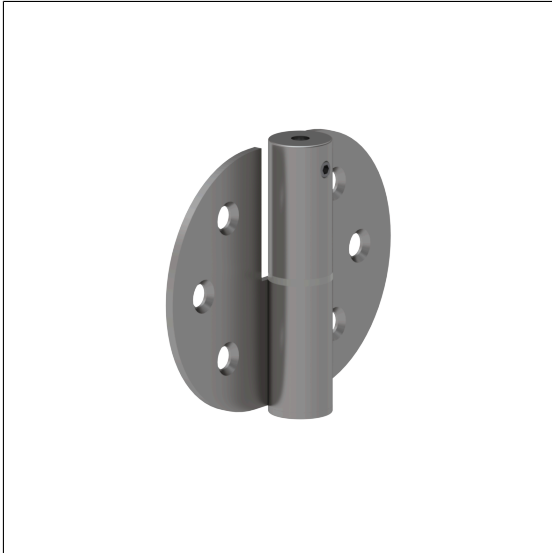


## Care Solutions · Inox Partition solutions

Inox Door hinge,  
with spring

Article number: 2290260009

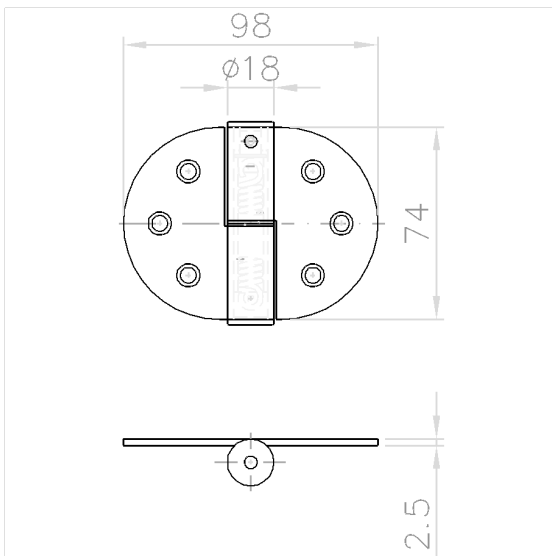
### Product image



### Technical specifications

Product group	6600
Product	Door hinge, with spring
Short name	NT.TB 82
Version	DIN left
Version	for door opening
Length	100 mm
Width	20 mm
Height	75 mm
Material	stainless steel, material No. 1.4401 (A4, AISI 316)
Surface	brushed finish
Colour	Stainless steel (009)

### Technical drawing



### Product description

- Design partition solutions for doors and partitions made of HPL board material
- with adjustable spring tension
- Sticker L or R on back
- visible screw connection, can be covered with cover 2290190
- Mounting Recommendation: 2 door hinges for door weight up to 40 kg 3 door hinges for door weight up to 60 kg
- Supplied without fixing material



009