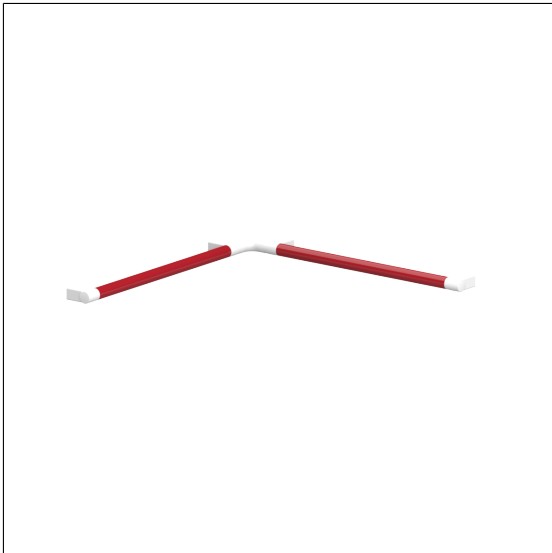


## Care Solutions · Verso Care Duo

Verso Care Duo Shower handrail

Article number: 3500303912

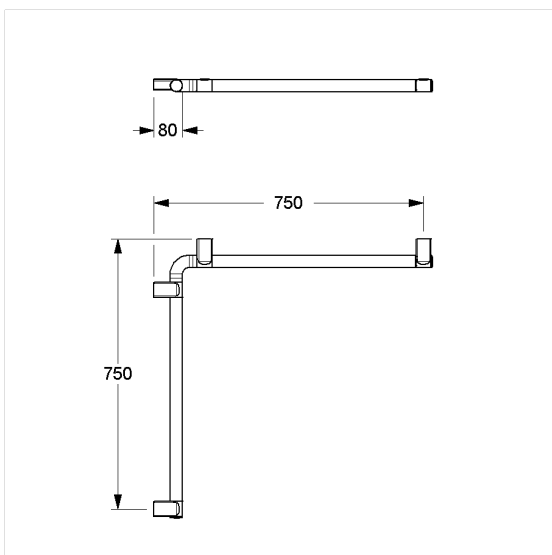
### Product image



### Technical specifications

Product group	3800
Product	Shower handrail
Axle dimension a1	750 mm
Axle dimension a2	750 mm
Fixing type	single-point mounting
Fixing points	4 Piece
Diameter	34 mm
Material	polyamide
Surface	high gloss
Colour	Red-White (912)
Version	left and right
Loading	max. 175 kgs

### Technical drawing



### Product description

- Verso Care Duo facilitates orientation thanks to the high-contrast color combination
- with non-corrosive steel core throughout
- single-point wall attachment with 3mm tolerance compensation (= ffl 1.5mm) for an easy and safe installation,
- concealed screw fixing
- In case of lightweight partition walls a backfill made of min. 30mm hardwood is needed
- CE-certified
- supplied with stainless steel hexagon head screws  $\varnothing 6 \times 100$  mm according to DIN 571 and dowels



912