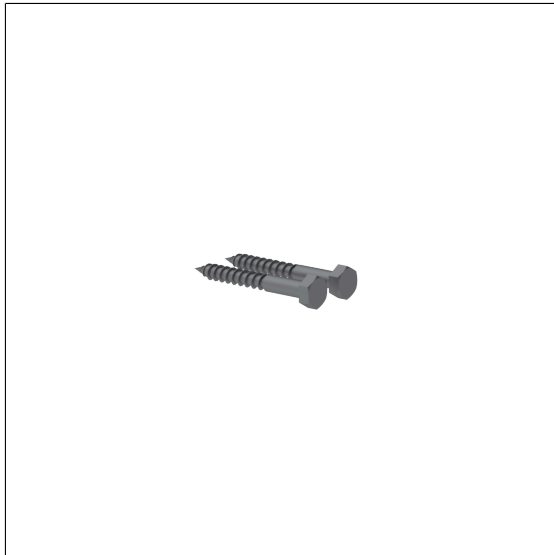


Care Solutions

Care Fixing set

Article number: 0448952000

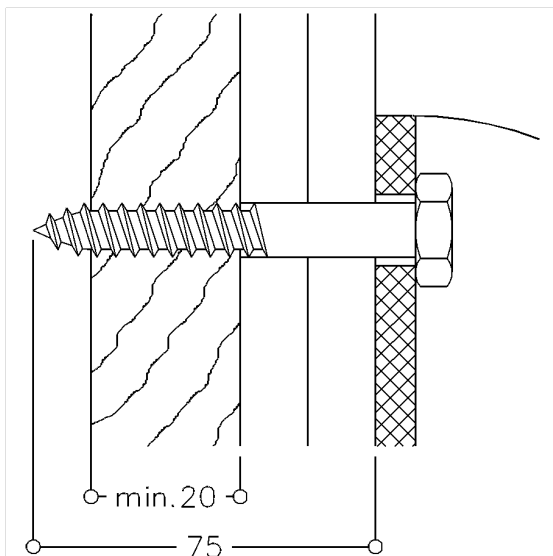
Product image



Technical specifications

Product group	2000
Product	Fixing set
Short name	MS 4.8 C 2
Material	polyamide
Type of wall	In front of the wall with panels and integrated mounting plate made of hardwood. Lightweight partition walls, made of gypsum, flake board and hardboard with a multilayer laminated wood back lining measuring at least 20mm thick, which must be adequately fixed to the supporting structure.
Material & scope of delivery	2 x hexagonal wood screw $\varnothing 10 \times 80$ SW17, A2-AISI 304
Colour	Colourless (000)

Technical drawing



Product description

- suitable for: Verso Care Lift-up shower seat, Lift-up shower seat with floor support
Nylon Care 300: shower guard rail
- installation has to be carried out by professionals



000