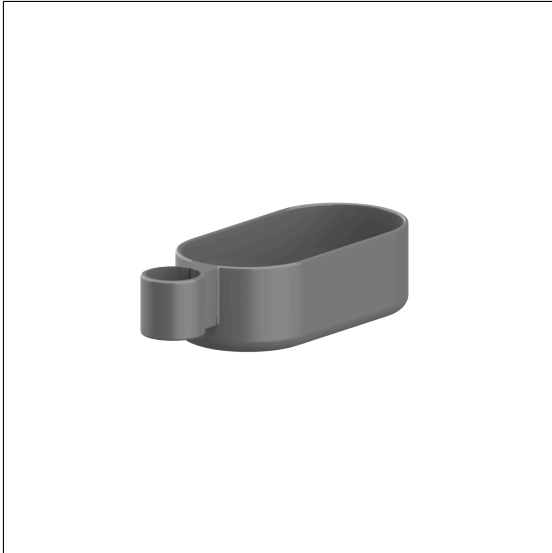


Care Solutions · Inox Care Accessories

Inox Care Shower box,
retrofittable

Article number: 2050302018

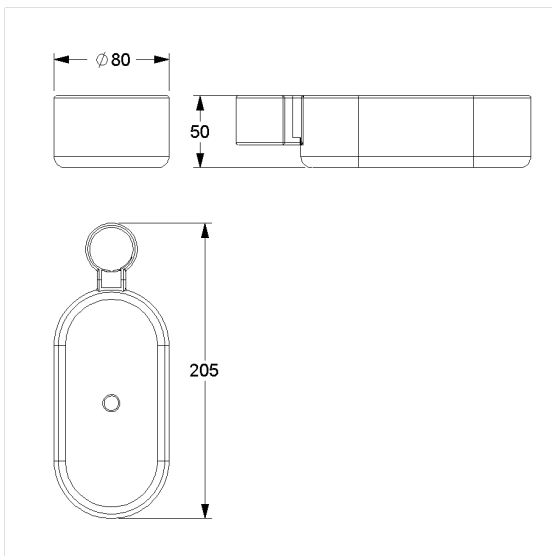
Product image



Technical specifications

| | |
|---------------|--|
| Product group | 0200 |
| Product | Shower box, retrofittable |
| Length | 160 mm |
| Width | 80 mm |
| Height | 50 mm |
| Storage space | 100 cm ² |
| Material | polyamide |
| Surface | high gloss with antibacterial protection |
| Colour | Dark grey (018) |

Technical drawing



Product description

- Inox Care as a robust and timeless classic with bacteriostatic properties
- for Inox Care Shower head rail
- storage space with drain hole



018