

# Product data sheet

## Nylon Care 300

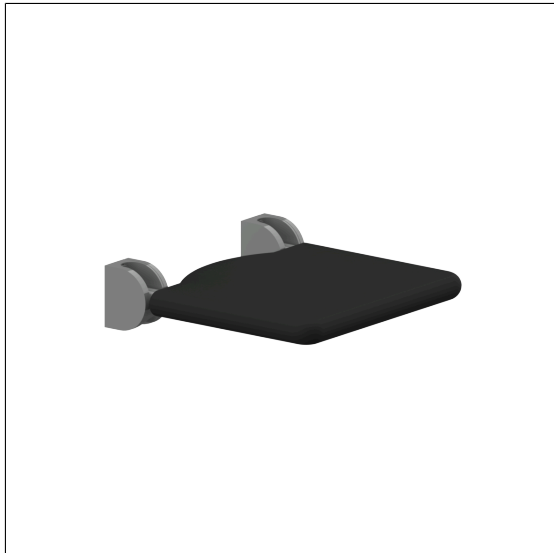
Nylon Care 300 Lift-up shower seat

Article number: 0300741018

**NORMBAU**

PASSION FOR CARE

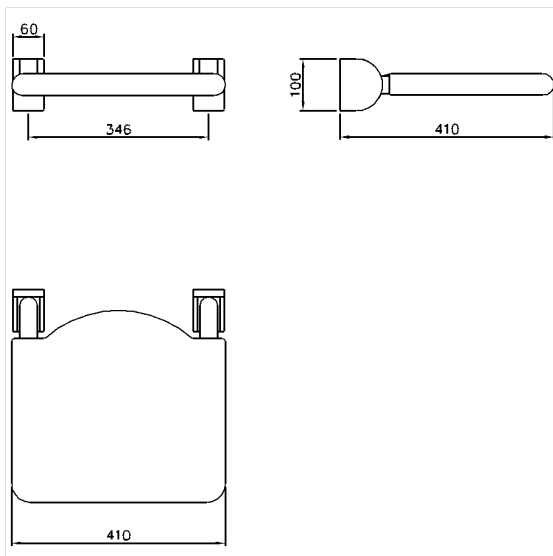
### Product image



### Technical specifications

Product group	0700
Product	Lift-up shower seat
Length	410 mm
Height	100 mm
Width	410 mm
Material	polyamide, padded made of PUR integral foam
Surface	high gloss
Colour	available in nylon colours
Loading	max. 175 kgs

### Technical drawing



### Product description

- Nylon Care - a well-trying and proven product family with a wide range of variants, three product series suiting many different requirements
- Pad with non-corrosive steel core throughout
- steel reinforced hinges
- with adjustable brake
- locked in place in vertical position
- with non-corrosive steel core throughout
- concealed screw fixing
- In case of lightweight partition walls a backfill made of min. 20mm hardwood is needed
- load capacity: max. 175kgs according to ISO17966:2016, statically tested up to 200kgs
- Fixing set has to be determined according to conditions on site, is to be ordered separately

