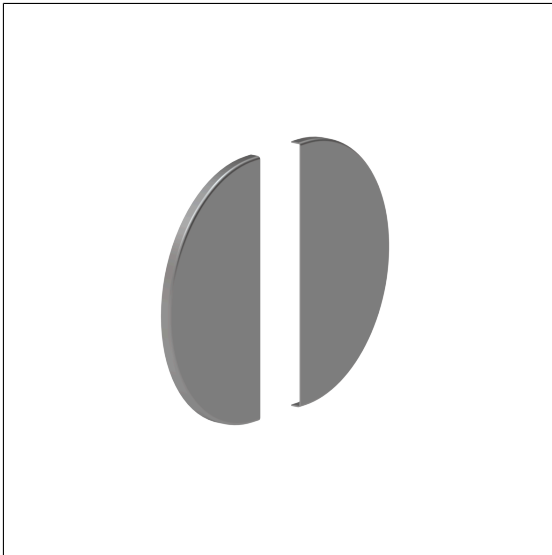


## Care Solutions · Inox Partition solutions

Inox Door hinge cover

Article number: 2290190009

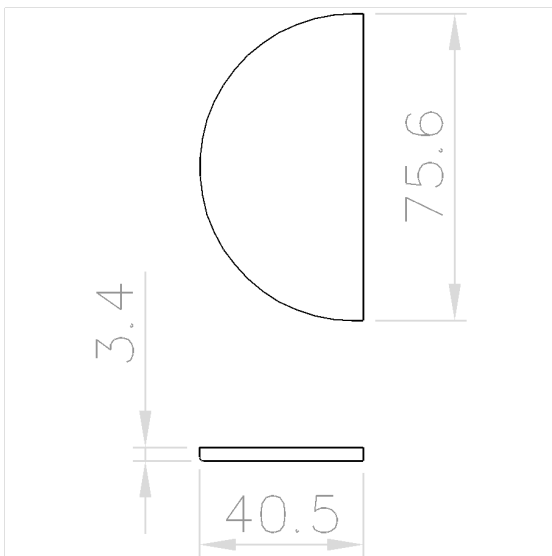
### Product image



### Technical specifications

Product group	6600
Product	Door hinge cover
Short name	NT.TBA
Length	40 mm
Width	5 mm
Height	75 mm
Material	stainless steel, material No. 1.4401 (A4, AISI 316)
Surface	brushed finish
Colour	Stainless steel (009)

### Technical drawing



### Product description

- Design partition solutions for doors and partitions made of HPL board material
- to cover the screw connection of an Inox door hinge
- is glued on door hinge



009