

Care Solutions · Inox Care

Inox Care Stool,
with hygiene recess

Article number: 2053450009

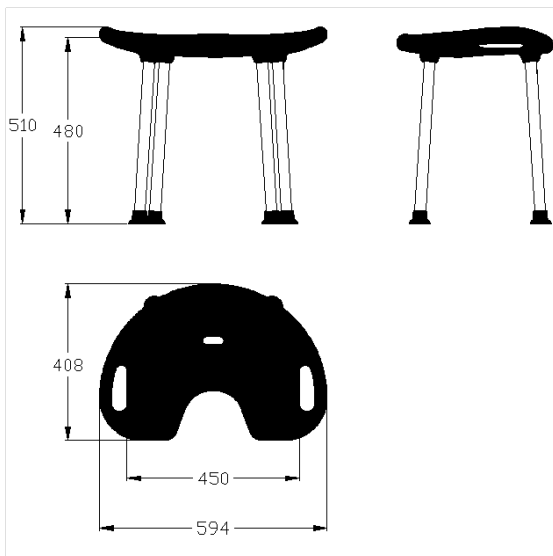
Product image



Technical specifications

Product group	5500
Product	Stool, with hygiene recess
Length	600 mm
Height	115 mm
Width	400 mm
Material	stainless steel, material No. 1.4301 (A2, AISI 304), padded made of PUR integral foam
Surface	brushed finish
Colour	Stainless steel (009), padded, colour black
Loading	max. 150 kgs

Technical drawing



Product description

- Inox Care as a robust and timeless classic with bacteriostatic properties
- with lateral openings for grip
- seat with drain slot
- with non-slip rubber buffers in the same colour of the seat pad



009