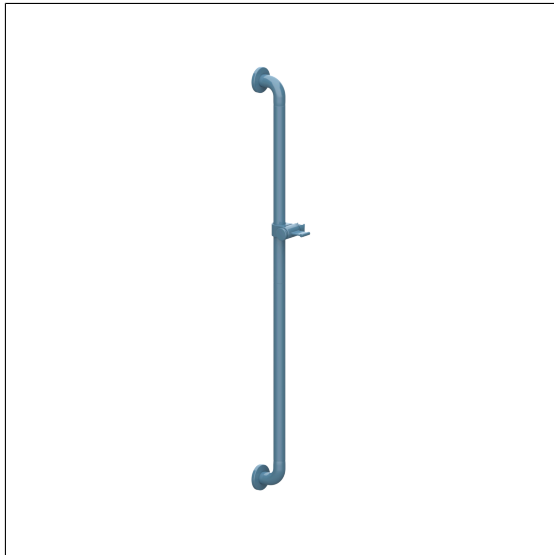


Nylon Care 300 Shower head rail

Article number: 0300882014

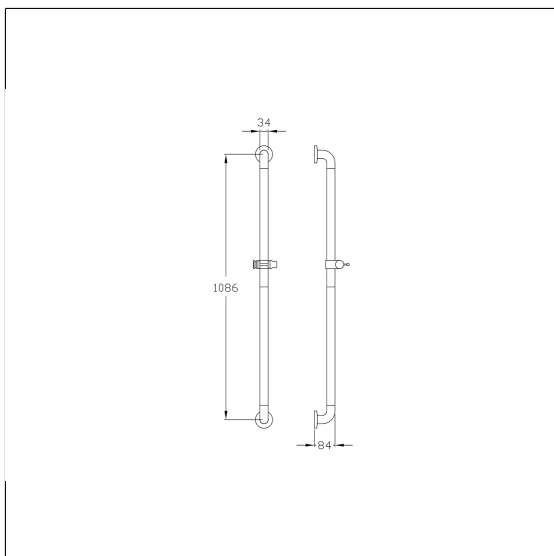
Product image



Technical specifications

Product group	0700
Product	Shower head rail
Fixing type	rosettes mounting
Fixing points	2 Piece
Axle dimension a1	1086 mm
Material	polyamide
Surface	high gloss
Diameter	34 mm
Version	left and right
Colour	available in nylon colours
Loading	max. 125 kgs

Technical drawing



Product description

- Nylon Care - a well-trying and proven product family with a wide range of variants, three product series suiting many different requirements
- with non-corrosive steel core throughout
- Shower head holder with easy adjustment to any height and angle, self-adjusting clamp maintenance-free
- with long operating handle and multi-purpose side hook
- Shower head holder suitable for various hand shower types
- with Rose Gasket for sealing of the drilling points according to German standard DIN 18534-1
- with plastic rose \varnothing 70mm for concealed screw fixing and glass fiber reinforced plastic base
- In case of lightweight partition walls a backfill made of min. 20mm hardwood is needed
- CE-certified
- supplied with stainless steel Torx screw $s\varnothing$ 6 x 70 mm and plugs

